

**THINKY**

**No lumps, No air.  
Produce Engineered Compounds  
in Minutes.**



Planetary Centrifugal Vacuum Mixer

# **THINKY Mixer** **ARV-5000**

**Mixing, Kneading, Dispersion and Deaeration at Once.  
From Research to Production, Large Capacity up to 5kg.**

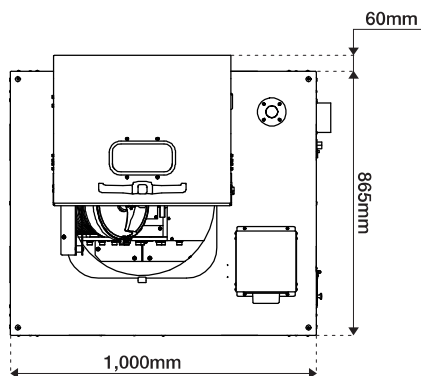
- THINKY non-contact centrifugal mixing technology made it possible to mix, disperse and deaerate at once in a sealed container. All types of engineered materials in high and low density can be processed in minutes regardless the viscosity.
- Production on demand saves your time and money today.
- With the use of adapter and container, small quantity of sample can be processed. Share the same unit from research to production.
- Equip various features for materials or process control with easy operation.

**Large  
3,000 ml,  
5 kgs**

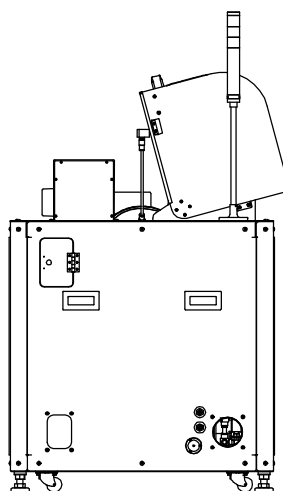
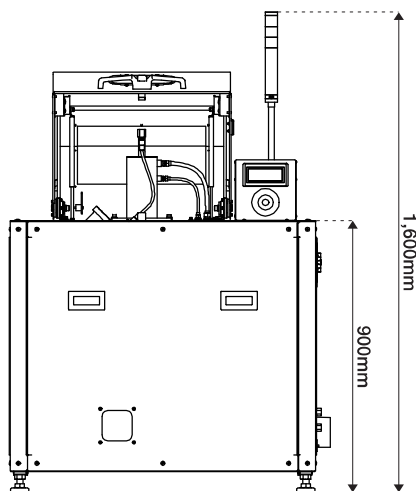


# THINKY Mixer ARV-5000

Container can be loaded easily with wide opening



Control Panel



Included Accessories\*  
4 liters container HDPE × 5 pcs  
\*It depends on the machine specification.

- Optional Adapter (syringe)



Ask THINKY representative for all optional adapters.

## ARV-5000 Main specification

Model	ARV-5000	Upper limit using a 4 liters container	3 liters, 5 kg (GROSS) 3 liters, 4.7 kg (NET)
Product name	THINKY Vacuum MIXER	Vacuum Chamber	Cup holder style
Method	Vacuum centrifugal mixing technology	Vacuum Range	90kPa - 0.67kPa
Program Memory	10 slots, each slot can control 10 steps continuously	Pump Speed	Within 60 seconds (atmospheric pressure to 0.67kPa)
Process Cycle Time	1 second to 30 minutes (per slot)	Air break Time	Within 30 seconds (0.67kPa to atmospheric pressure)
Revolution Speed	200 - 800 rpm	Trap	Optional (externally-connected joint)
Rotation Speed	150 - 600rpm Follows 3/4 of Revolution Speed	Remote Operation	Optional
Maximum mixing capacity	3 liters	Safety Functions	Cover sensor, Vibration sensor, Rotation sensor, Emergency Stop Button
Maximum mixing mass	4.7 kg (NET)	Operating Environment	10 - 35 °C, 35 - 85%RH (no condensation)
		Power Supply	3-phase, AC200V ±10%, 50/60Hz Power Consumption Standby: Approx 37VA Operating: Max 4,500VA
		Dimensions	H1,600×W1,000×D865(mm) *handles excluded
		Machine Mass	Approx 500kg

√ The results may vary depending on the processing conditions or materials. √ Specification is subject to change without notification.  
√ Some material may generate high heat during mixing. √ Unit is not explosion-proof.

- Visit our web site for product information and exhibition schedule  
<http://www.thinky.co.jp/english>

- Contact us  
[mixer@thinky.co.jp](mailto:mixer@thinky.co.jp)



Pioneer of planetary centrifugal mixers

Headquarters:  
3-7-16 Iwamoto-cho Chiyoda-ku Tokyo #101-0032, Japan  
TEL +81-3-5821-7455 Fax +81-3-3865-7833

THINKY Business Partner ;

Chaussée de Louvain, 270

B-1410 Waterbo  
☎ +322 351 1800 ☎ +322 351 1962

✉ [info@gentec.be](mailto:info@gentec.be)  
<http://www.gentec.be>