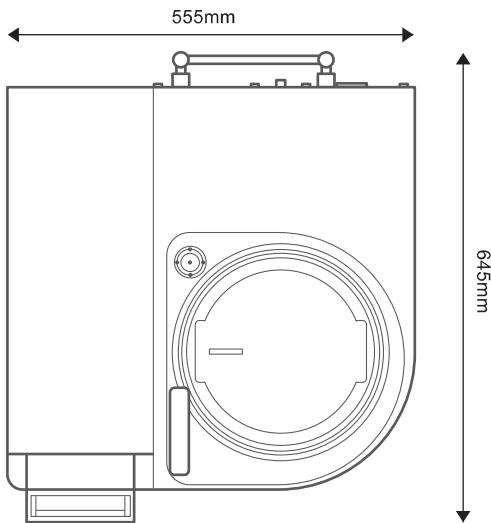


Planetary Centrifugal Vacuum Mixer

THINKY Mixer ARV-310

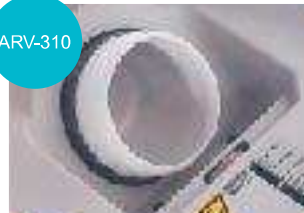


Typical Vacuum Process



Vacuum deaeration is a time consuming work, which requires your dedicate monitor on materials for overflow control, through long time processing.

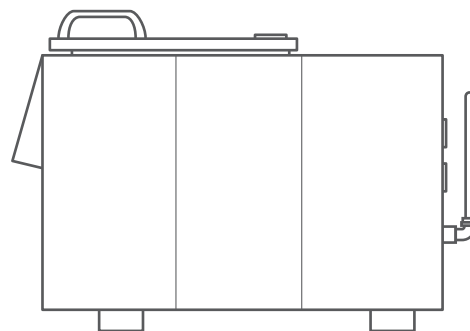
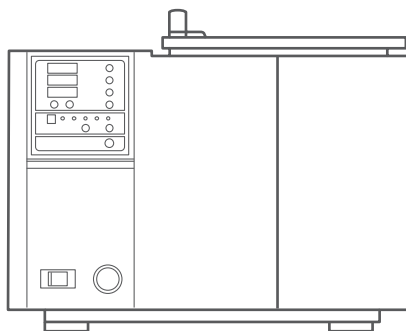
ARV-310



ARV-310 causes NO material overflow in the process. Process itself will be done in minutes.



The lid slides and has a wide open working area.



Standard Accessories ;

- (1) 300ml reusable container x 3 pieces
- (2) 150ml reusable container x 1 piece
- (3) 150ml container adapter x 1 piece

ARV-310 Main Specifications

| | | | | | |
|--|--|-----------------------|--|---------------------|---|
| Model Number | ARV-310 | Vacuum Chamber | Rotator in Vacuum | Unit Dimensions | H440×W555×D645 (mm) |
| Product Name | "Planetary Centrifugal Mixer THINKY Vacuum Mixer" | Vacuum pump capacity | 200 Pa (2Torr), 100 liter / minute | Unit Weight | 90kg. (198lb.) |
| Method | Non-contact, planetary motion centrifugal mixing method | Vacuum Pressure | 0.67 Kpa (5Torr) - Air pressure | Safety Features | Lid Locking system, Vibration Sensor, Rotation speed sensor |
| Process Cycle Time | 1 seconds to 30 minutes | Revolution Speed | 0, 200 - 2,000RPM 10RPM Increment | Standard Containers | 300ml or 150ml jar, HDPE |
| Program Memory | 9 slots | Rotation Speed | 0 - 1000RPM Follows Revolution Speed / 2 | | |
| Maximum mixing capacity (gross weight) | Air 250ml, 310g (300ml jar) 150ml, 310g (150ml jar) Vacuum* 200ml, 310g (300ml jar) 120ml, 310g (150ml jar) | Power Supply | Single Phase 100VAC ±10% 50hz/60hz Power consumption Standby : 50VA // In process : 1,100VA | | |
| Multi-Step Mixing | 1-5 steps in a cycle | Operating Environment | 10-35°C, 35-85%RH (Non-condensation) | | |

Optional Adapters



Please ask THINKY sales representatives for all adapters available in your country or custom made adapters for your specific containers.

* Process half of ML capacity of your mixing cup with no use of its lid. Lid is with hole in the middle.

- Specification is subject to change without notification.

- The unit is NOT explosion-proof.

- The mixing results may vary depending on processing conditions or materials.

- Material could heat by shear given in the process.

Pioneer of Centrifugal Mixer

THINKY Corporation

Americas/EU: Georgia, U.S.A

www.thinky-usa.com

Tel: +1-770-919-2850 info@thinky-usa.com

All countries: Tokyo, Japan

www.thinky.co.jp/english or www.thinky.cn

Tel: +81-3-5821-7455 mixer@thinky.co.jp

Headquarters: 3-7-16, Iwamoto-cho Chiyoda-ku, Tokyo, Japan, 101-0032 Fax: +81-3-3865-7833



THINKY Business Partner ;

Gentec Benelux
Chaussée de Louvain, 270
B-1410 Waterloo

tel: +32 2 351 1800
www.gentec.be